



**THE WORLD'S BEST MONITORS**  
**TRITIUM & C-14**



**TRIATHALON**  
**Air & Stack Monitor**

- Recognized Globally for Over 50 Years
- Specialists in Air & Water ~ Tritium Detection Innovation
- Choice of Measurement Units: DAC, MBq, uCi, etc.
- High Quality ~ Made in the USA

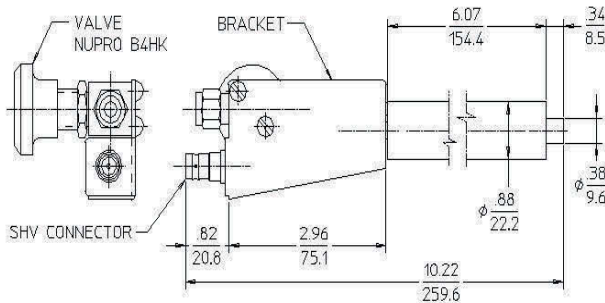
**Large Systems ~ Portables**  
**Samplers, Monitors, Detectors, Chambers**

• Active & Passive	• Ultra Low Level
• Fixed & Portable	• Ionization, Proportional
• Environmental Gamma	• Heavy Water Leak
• Noble Gas, Beta/Gamma	• Surface Contamination

**CALL THE EXPERTS: 513-248-2400**  
[www.overhoff.com](http://www.overhoff.com) [sales@overhoff.com](mailto:sales@overhoff.com)

- GLSEQ, LLC, Huntsville, AL (PS)
- ◆HI-Q Environmental Products Company, Inc., San Diego, CA (AA, AP, F, GE, P, PS, R, SE, TR, TP)
- H3D, Inc., Ann Arbor, MI (PS)
- James Fisher Nuclear Ltd., Preston, United Kingdom (DB, F, L, PS)
- W B Johnson Instruments, Rigby, ID (DB, FA, G, PS, S, U)
- JSM Protective, Inc., Wilmington, NC (PS)
- ◆Kinectrics Inc., Toronto, Ontario, Canada (AP, TR)
- Kurz Instruments, Inc., Monterey, CA (AA)
- ◆LND, Inc., Oceanside, NY (AP, DB, FA, F, FC, GE, G, L, LE, P, PL, PS, R, S, SE, T, TR, TP, U)
- Ludlum Measurements, Inc., Sweetwater, TX (F, G, L, PS, S, TP, U)
- Mirion Technologies, Inc., San Ramon, CA (AA, AP, AF, B, CW, DB, FA, F, GE, G, L, LE, MA, MV, P, PL, PS, R, S, SE, T, TR, U)
- ◆NUCON International, Inc., Columbus, OH (AP, GE, LE)
- NUVIA, Rueil Malmaison, France (AA, AP, B, CW, DB, F, GE, L, LE, MA, MV, PL, PS, R, S, SE, T, U)
- NUVIA Dynamics Inc., (formerly PICO Envirotec Inc.), Concord, Canada (AA, AP, AF, B, CW, DB, FA, F, FC, GE, G, L, LE, MA, MV, P, PL, PS, R, S, SE, T, U)
- NV5/Dade Moeller, Richland, WA (PS)
- ORTEC, Oak Ridge, TN (AP, DB, FA, FC, GE, LE, PS, SE, TR)
- ◆Overhoff Technology Corp., (A Div. of US Nuclear Corp.), Milford, OH (AA, B, DB, FA, GE, LE, R, SE, T, TR, TP)
- Pajarito Scientific Corp., Santa Fe, NM (AF, B, CW, DB, FC, MA, MV, S, SE, U)
- Perma-Fix Environmental Services, Inc., (Safety and Ecology Corp. (SEC) is now a sub. of Perma-Fix), Knoxville, TN (AP, PS, R)
- PHDS Co., Knoxville, TN (MA, MV)
- Premium Analyse, Norroy Le Veneur, France (GE, TR, TP)
- Radiation Safety & Control Services, Inc., Stratham, NH (AA, AP, AF, FA, F, PS, R, TR)
- ReNuke, Oak Ridge, TN (AA, AP, F, P, PS, R)
- Rexon Components, Inc., Beachwood, OH (AA, AP, FA, F, GE, G, P, R, S, TR, TP, U)
- Rockwell Automation, Inc., Milwaukee, WI (PS)
- Rolls-Royce Civil Nuclear, Warrington, United Kingdom (AA, AP, AF, B, CW, DB, FA, F, FC, GE, G, L, LE, M, MA, MV, OS, P, PL, PS, R, S, SE, T, TR, TP, U)
- Rolls-Royce Reactor Services, Brattleboro, VT (U)
- S.E. International, Inc., Summertown, TN (PS)
- Siemens Process Industries and Drives, Hauppauge, NY (PS)
- Technical Associates, (a Div. of US Nuclear Corp.), Canoga Park, CA (AA, AP, AF, CW, FA, F, FC, GE, G, L, LE, MA, MV, P, PS, R, S, SE, TR, TP, U)
- Thermo Fisher Scientific, Oakwood Village, OH (AA, AP, AF, B, CW, DB, FA, F, FC, GE, G, L, LE, M, MA, MV, OS, P, PL, PS, S, SE, T, U)
- Toshiba America Energy Systems Corp., Charlotte, NC (GE, G, L, LE, SE, TR)

We have the world's largest selection of Gas Filled  
**Radiation Detectors**



For specific data, check our website or call us.

Not a standard, we can assist you in the design and manufacture of a detector to meet your specifications. An ISO 9001:2008 certified company.

- GM Counters
- BF<sub>3</sub> Neutron Counters
- He<sup>3</sup> Proportional Counters
- X-ray Proportional Counters
- Fission Chambers
- Neutron Beam Monitors
- Ionization Chambers
- Proton Recoil Counters
- Gas Sampling Detectors
- Positive Sensitive Detectors
- Large Area α β γ Detectors

[WWW.LNDINC.COM](http://WWW.LNDINC.COM)

**LND, INC.**

Since 1964

3230 Lawson Blvd · Oceanside, New York 11572  
T: 516-678-6141 · F: 516-678-6704 · E: [INFO@LNDINC.COM](mailto:INFO@LNDINC.COM)