



**THE WORLD'S BEST MONITORS**  
**TRITIUM & C-14**



**TRIATHALON**  
**Air & Stack Monitor**

- Recognized Globally for Over 50 Years
- Specialists in Air & Water ~ Tritium Detection Innovation
- Choice of Measurement Units: DAC, MBq, uCi, etc.
- High Quality ~ Made in the USA

**Large Systems ~ Portables**  
**Samplers, Monitors, Detectors, Chambers**

- |                         |                            |
|-------------------------|----------------------------|
| • Active & Passive      | • Ultra Low Level          |
| • Fixed & Portable      | • Ionization, Proportional |
| • Environmental Gamma   | • Heavy Water Leak         |
| • Noble Gas, Beta/Gamma | • Surface Contamination    |

**CALL THE EXPERTS: 513-248-2400**  
[www.overhoff.com](http://www.overhoff.com) [sales@overhoff.com](mailto:sales@overhoff.com)

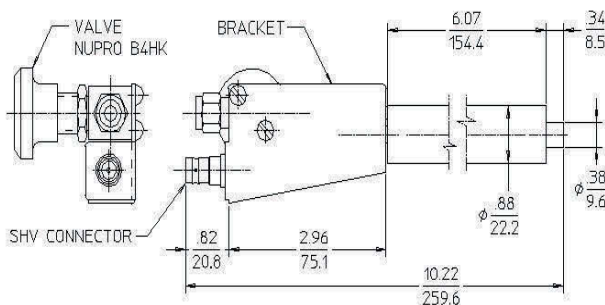
- Pylon Electronics Inc., (Instrument Manufacturing Div.), Ottawa, Ontario, Canada (AA, AP, F, PS, R)  
 Radiation Safety Assoc., Inc., Hebron, CT (OS, P, PS)  
 Rexon Components, Inc., Beachwood, OH (AA, AP, FA, F, GE, G, P, R, S, TR, TP, U)  
 Robatel Technologies LLC, Roanoke, VA (AF, CW, DB)  
 Rockwell Automation, Inc., Milwaukee, WI (PS)  
 Rolls-Royce Reactor Services, Brattleboro, VT (U)  
 RSO, Inc. (Radiation Service Organization), Laurel, MD (FA, PS, R)  
 S.E. International, Inc., Summertown, TN (PS)  
 Siemens Process Industries and Drives, Hauppauge, NY (PS)  
 ♦ Technical Associates, (a Div. of US Nuclear Corp.), Canoga Park, CA (AA, AP, AF, CW, FA, F, FC, GE, G, L, LE, MA, MV, P, PS, R, S, SE, TR, TP, U)  
 Thermo Fisher Scientific, Oakwood Village, OH (AA, AP, AF, B, CW, DB, FA, F, FC, GE, G, L, LE, M, MA, MV, OS, P, PL, PS, S, SE, T, U)  
 Toshiba America Energy Systems Corp., Charlotte, NC (GE, G, L, LE, SE, TR)  
 Ultra Electronics Nuclear Control Systems, Dallas, TX (AA, FA, GE, LE, SE)  
 UniTech SAS, (Sub. of UniTech Services Group USA), La Bouilladisse, France (B, L)  
 UniTech Services Group GmbH, (Sub. of UniTech Services Group USA), Laar, Germany (B, L)  
 ♦ UniTech Services Group, Inc., (Div. of UniFirst Corp.), Longmeadow, MA (L, M, S)  
 UniTech Services Group Ltd., (Sub. of UniTech Services Group USA), Crumlin Gwent, United Kingdom (B, L)  
 Uranium Institute, Schuettorf, Germany (AA, AP, AF, FA, R, S)  
 ♦ US Nuclear Corp., (Technical Associates Sub.), (Overhoff Technology Corp. Sub.), Canoga Park, CA (AA, AP, B, CW, DB, FA, F, FC, GE, G, L, LE, MA, MV, P, PL, PS, R, S, SE, T, TR, TP, U)  
 Victoreen, (a Fluke Brand), Cleveland, OH (AA, AP, FA, GE, LE, PS, SE)  
 Warrington, Inc., Pflugerville, TX (PS)

**55060 Monitors, Radiation, Personnel—also see Health Physics Equipment; Monitors, Microwave & RF**

- AL Audible Alarm (Electronic)
- D Doorway
- FB Film Badges, Films
- HF Hand-and-Foot
- PI Pocket Ion Chambers
- TL Thermoluminescent Dosimeters (TLD)
- WB Whole-Body

Applied Health Physics, LLC, Bethel Park, PA (PI)

We have the world's largest selection of Gas Filled  
**Radiation Detectors**



**For specific data, check our website or call us.**

Not a standard, we can assist you in the design and manufacture of a detector to meet your specifications. An ISO 9001:2008 certified company.

- GM Counters
- BF<sub>3</sub> Neutron Counters
- He<sup>3</sup> Proportional Counters
- X-ray Proportional Counters
- Fission Chambers
- Neutron Beam Monitors
- Ionization Chambers
- Proton Recoil Counters
- Gas Sampling Detectors
- Positive Sensitive Detectors
- Large Area α β γ Detectors

[WWW.LNDINC.COM](http://WWW.LNDINC.COM)

**LND, INC.**

Since 1964

3230 Lawson Blvd · Oceanside, New York 11572  
T: 516-678-6141 · F: 516-678-6704 · E: [INFO@LNDINC.COM](mailto:INFO@LNDINC.COM)